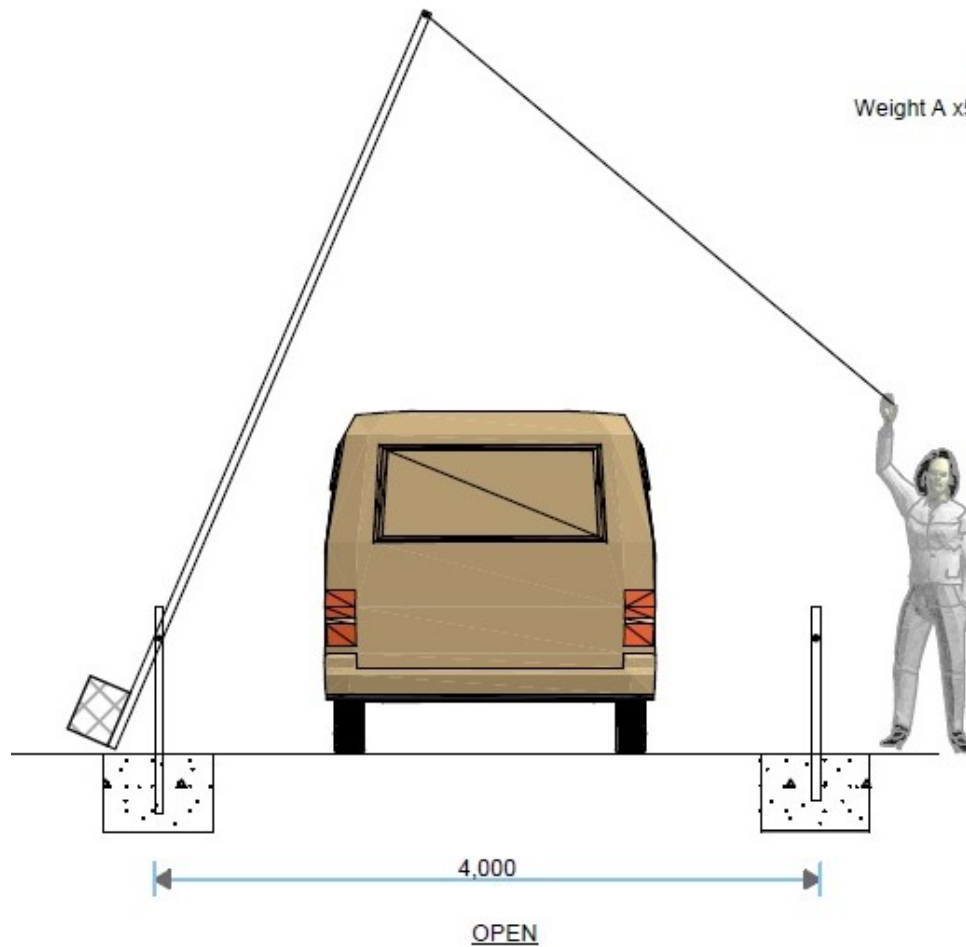
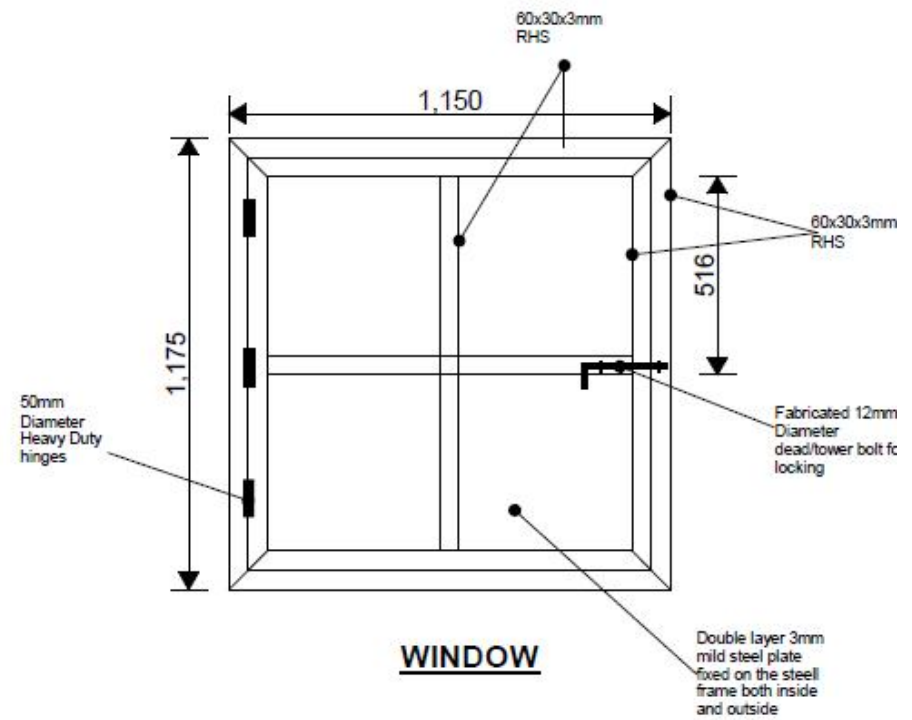
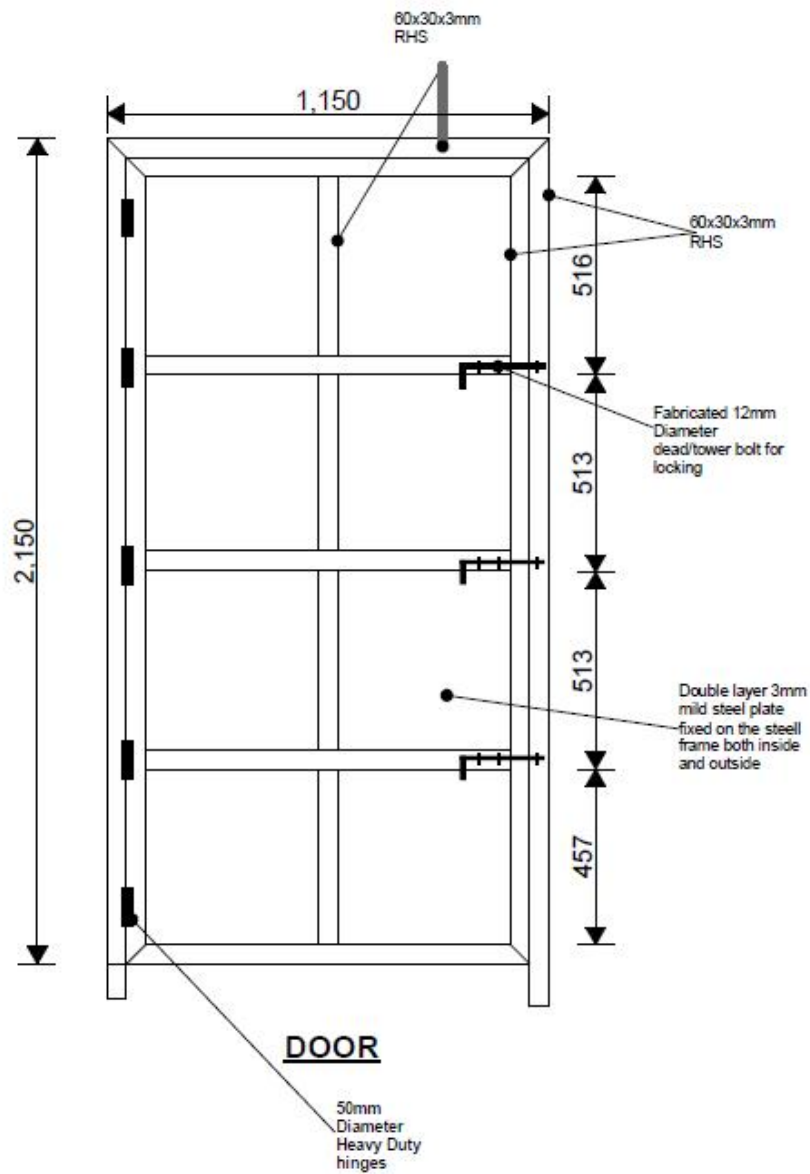
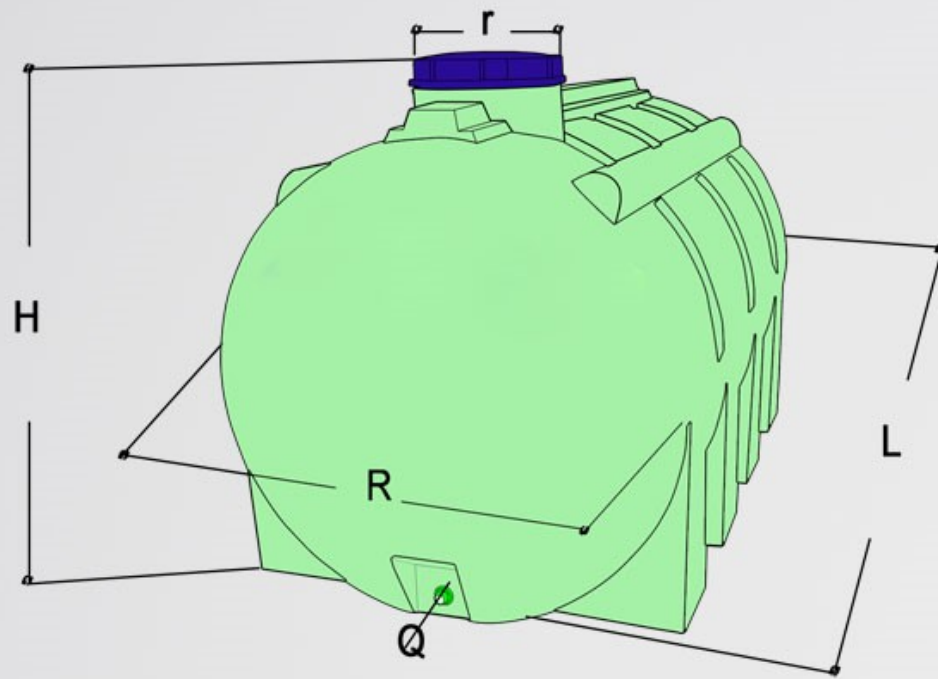


Rationale:
 $\text{Weight A} \times 536 >> \text{Weight B} \times 1971$



PROPOSED BOOM BARRIER





Volume	2000 Liter
Width (R)	126 cm
Length (L)	210 cm
Height (H)	140 cm
Cover Dia. (r)	40 cm
Outlet (Q)	1" (25mm)
Weight	58 kg
Colour	White / Blue

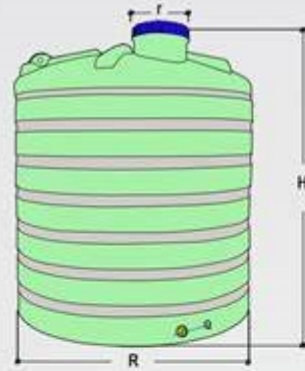
Standart Equipments



Cover



Outlet



Volume	5000 Liter
Width (R)	200 cm
Height (H)	195 cm
Cover Dia.(r)	40 cm
Outlet (Q)	1 1/4" (32mm)
Weight	100 kg
Colour	White / Blue

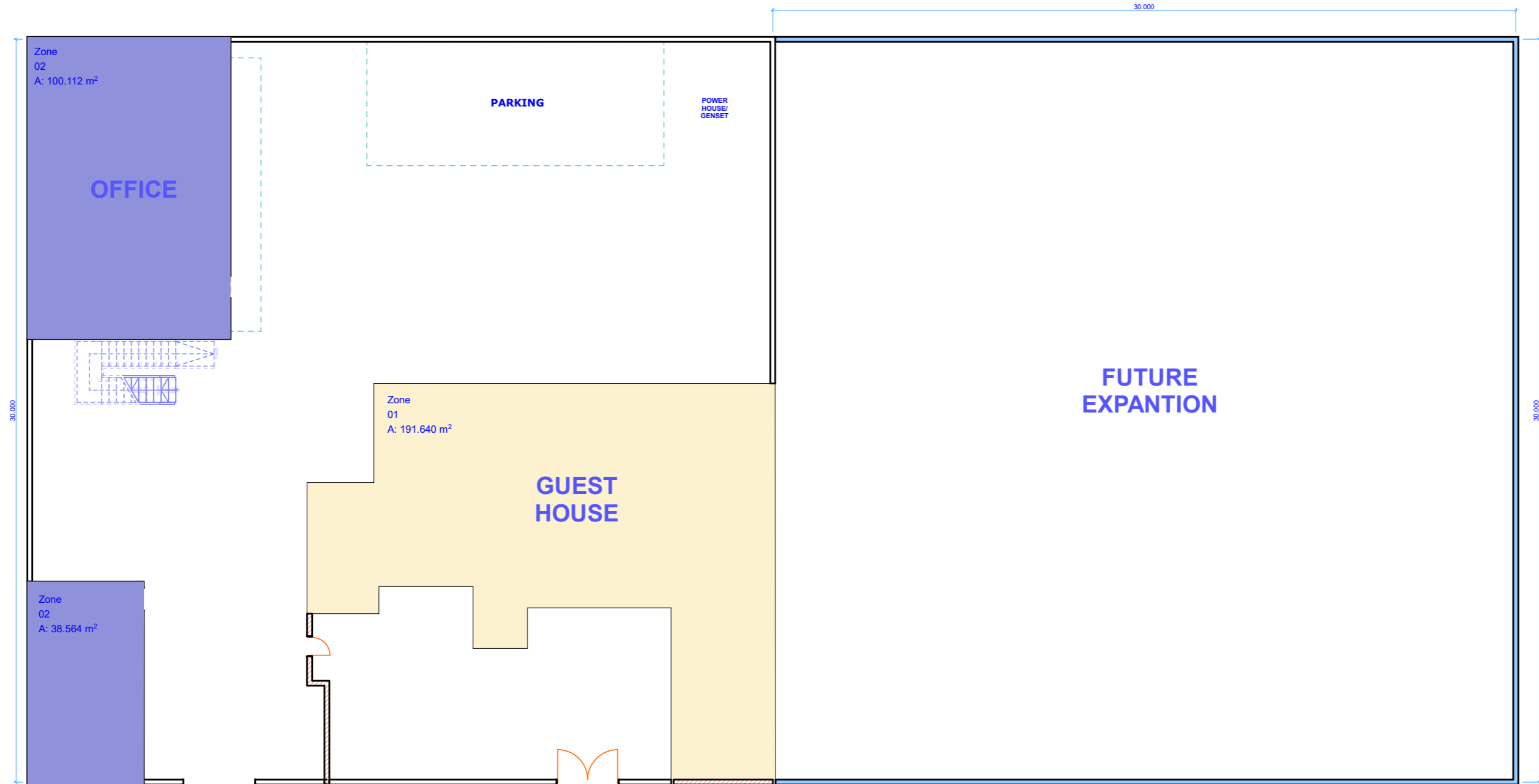
Standart Equipments



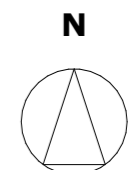
Cover



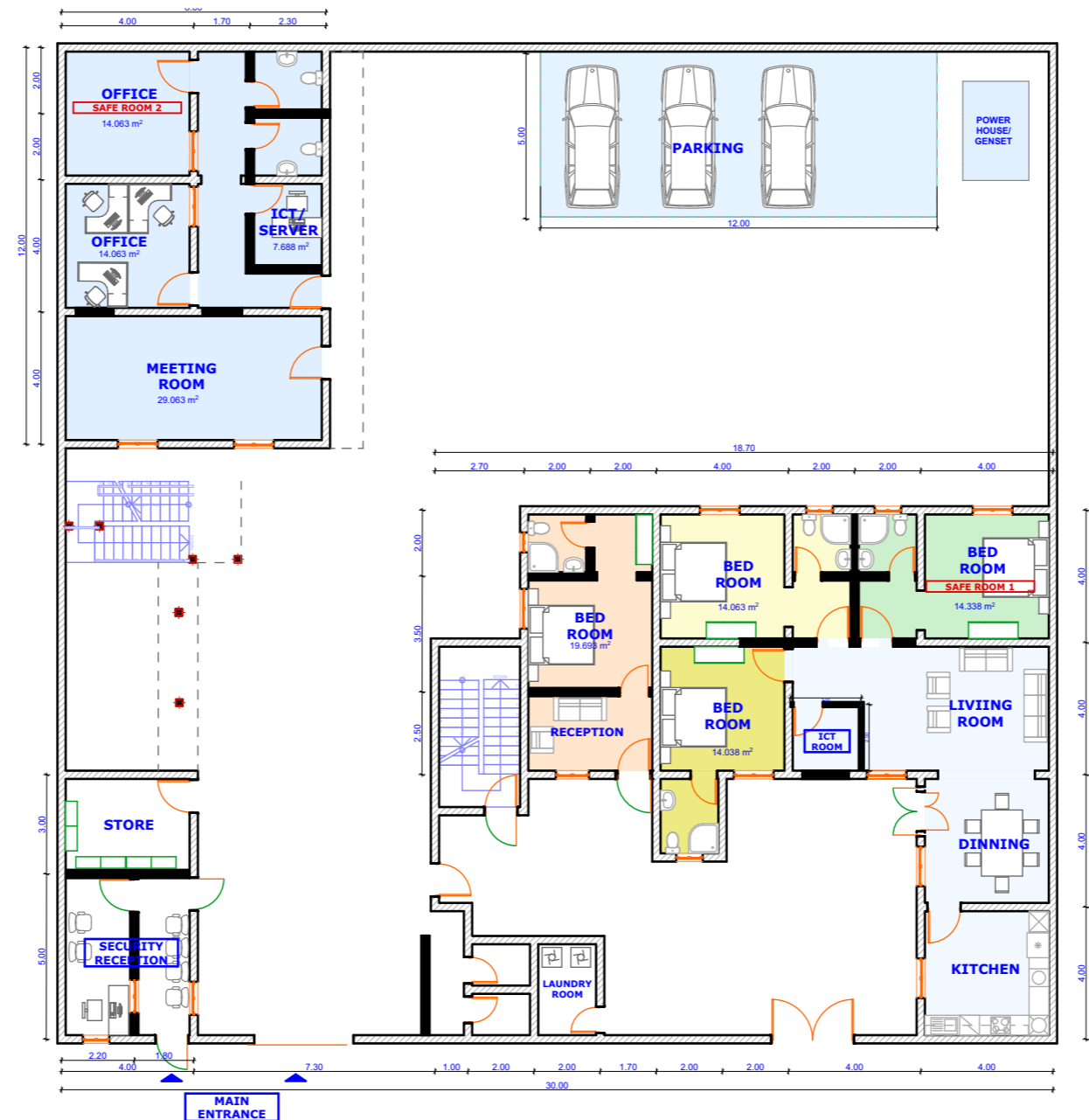
Outlet



SITE PLAN



SUDAN BLUE NILE STATE - DAMAZINE FU OFFICE/GUEST HOUSE

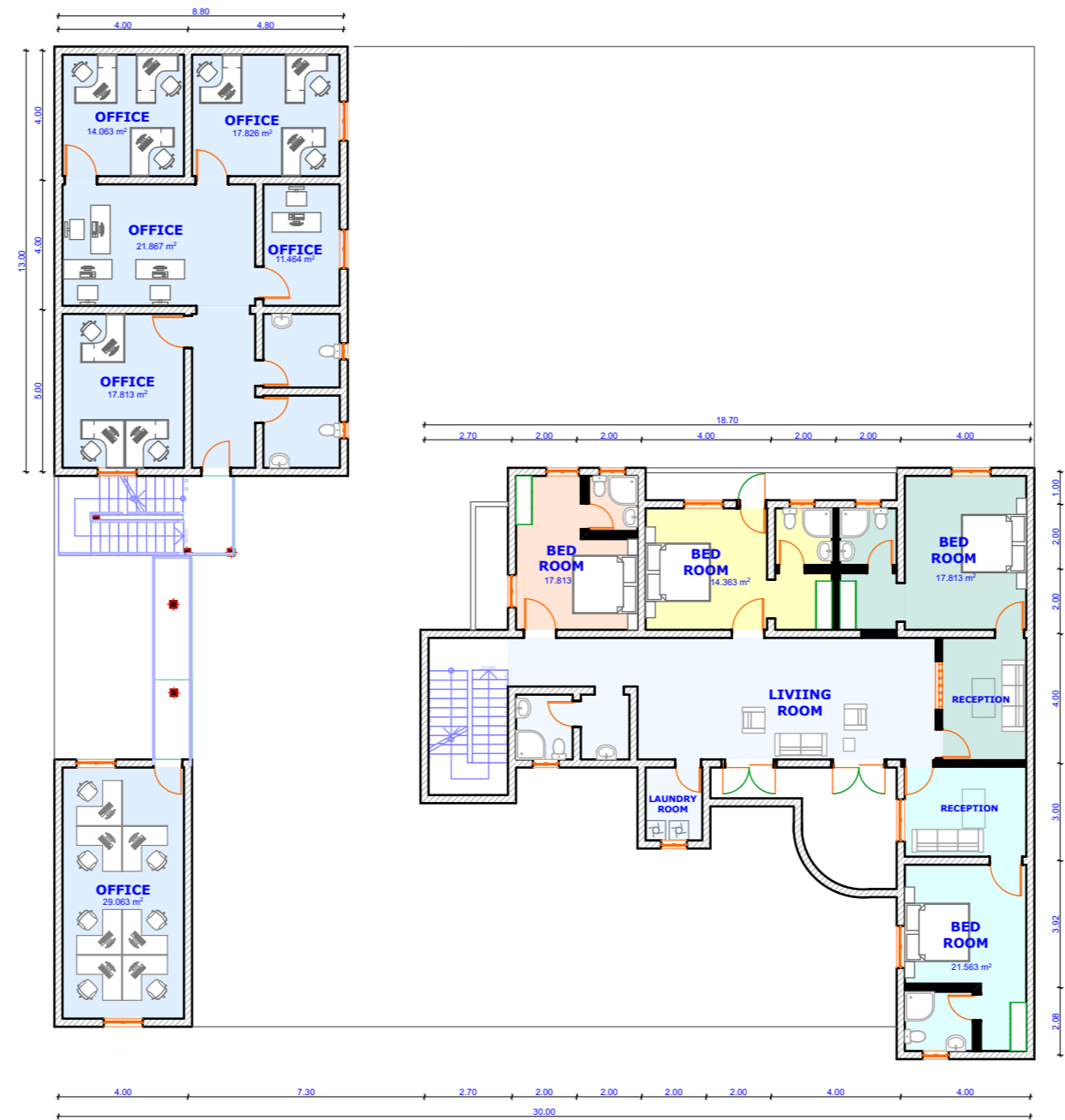


GROUND FLOOR PLAN

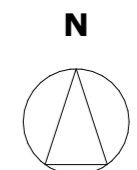


X: 98,746
Y: 1,748

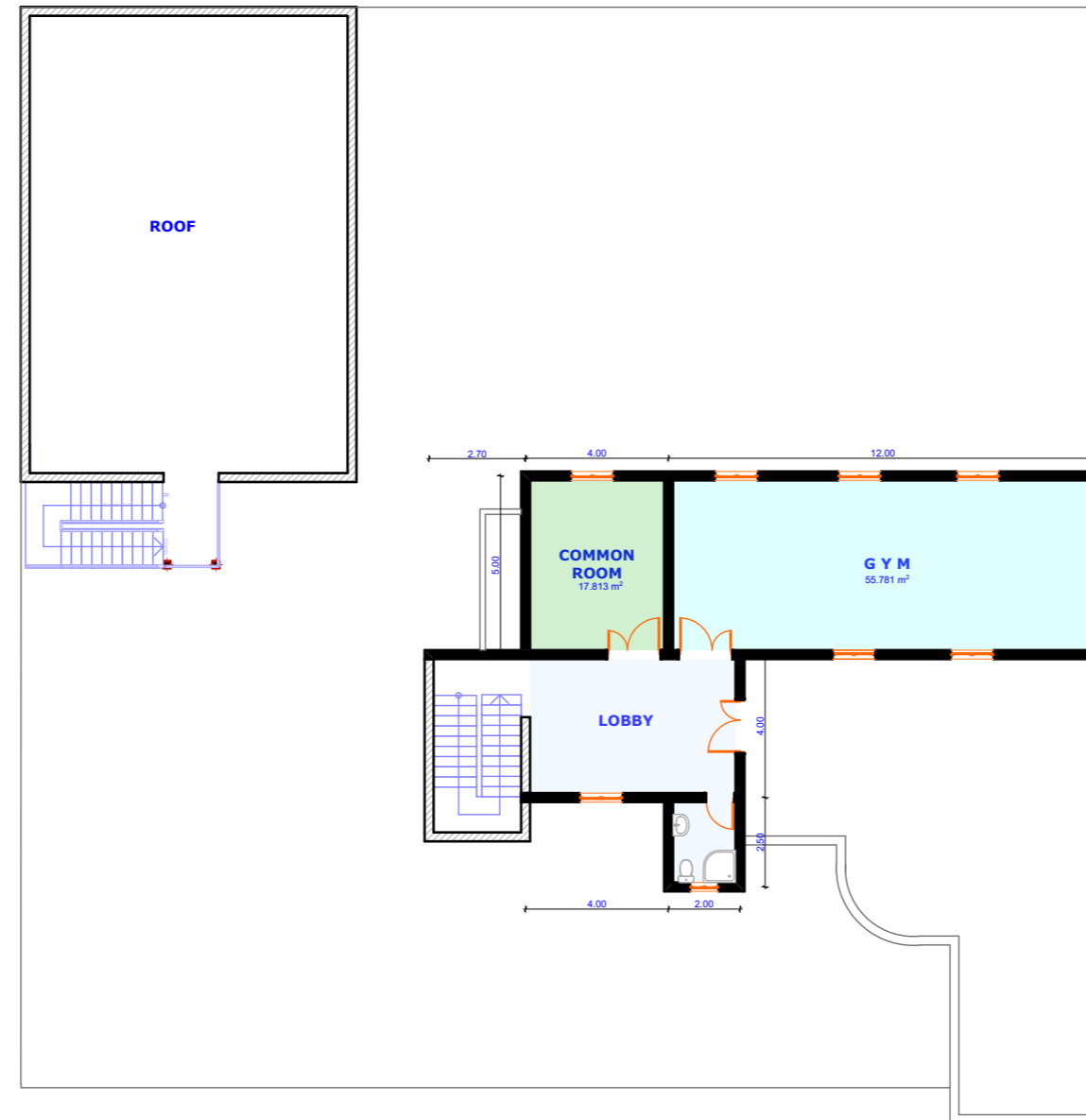
SUDAN BLUE NILE STATE - DAMAZINE FU OFFICE/GUEST HOUSE



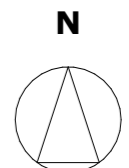
FIRST FLOOR PLAN



**X: 98,746
Y: 1,748**



SECOND FLOOR PLAN



X: 98,746
Y: 1,748